

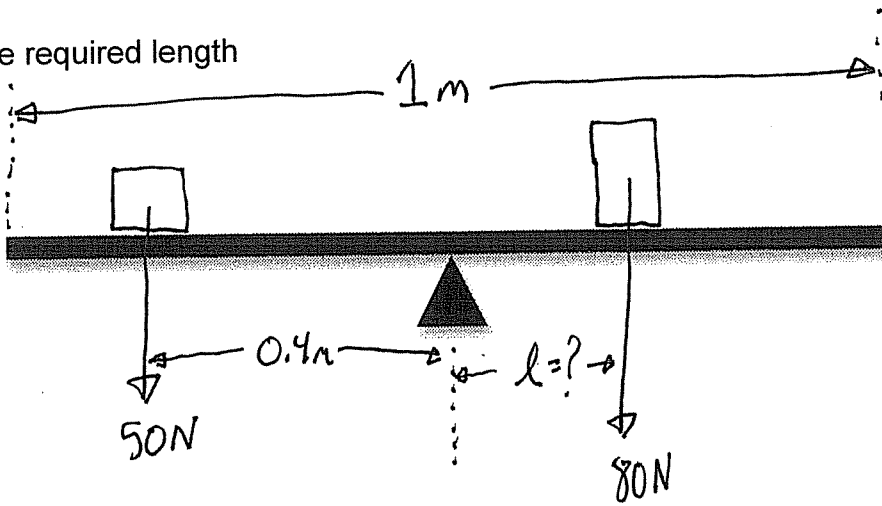
**Physics U5 12 Torque Work Sheet #1**

Name: \_\_\_\_\_

Date: \_\_\_\_\_

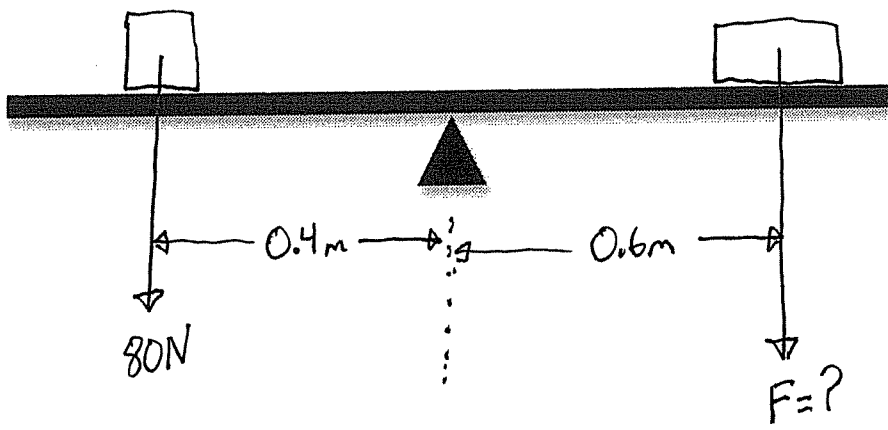
mass of beam = 0

1. Find the required length

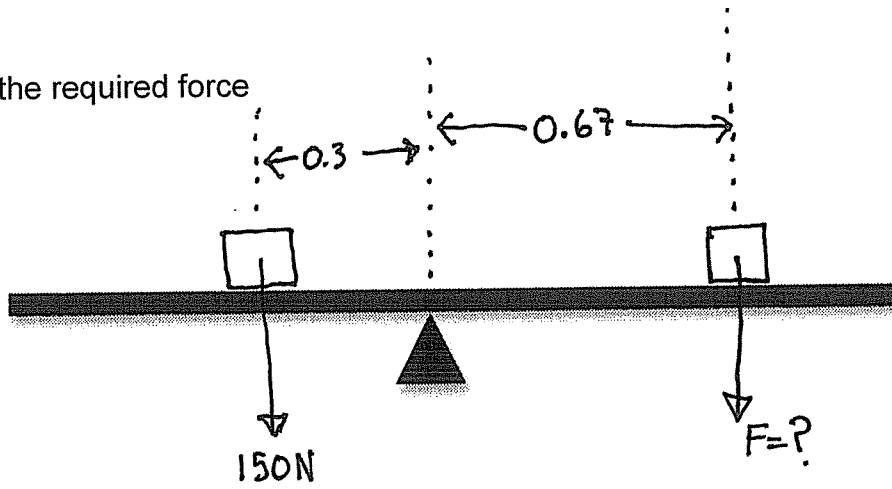


2. Find the required force

mass of beam = 0

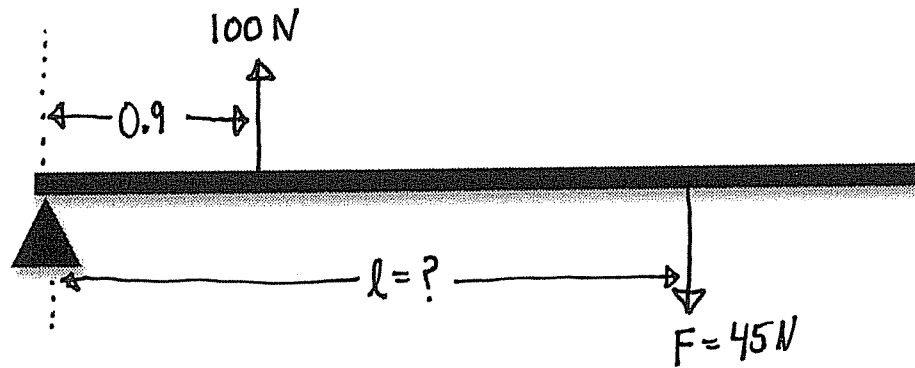


3. Find the required force



mass of beam = 0

4. Find the required length



3m, 1.5 kg beam