

Physics U5 12 Torque Work Sheet #2

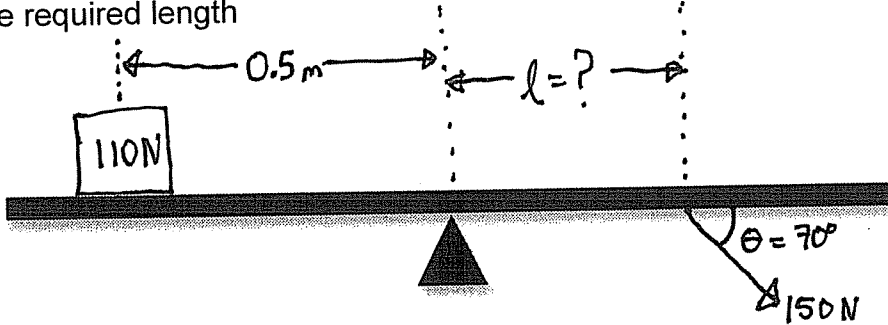
Name: _____

Date: _____

$$\tau_{ccw} = \tau_{cw}$$

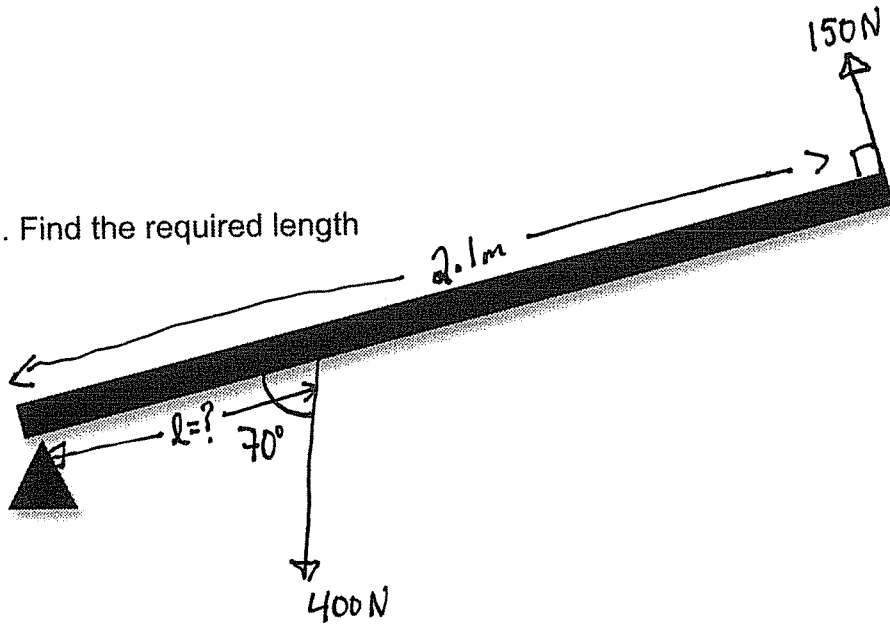
$$\tau = F \cdot l \cdot \sin \theta$$

1. Find the required length



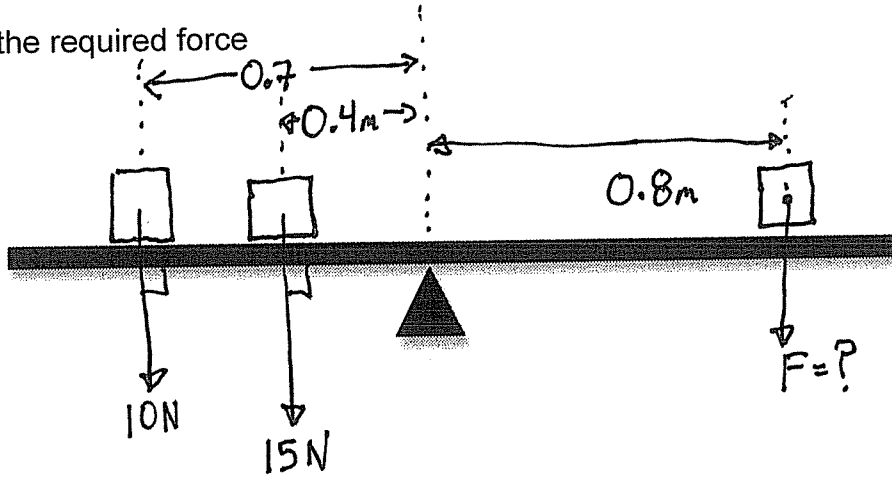
mass of beam = 0

2. Find the required length



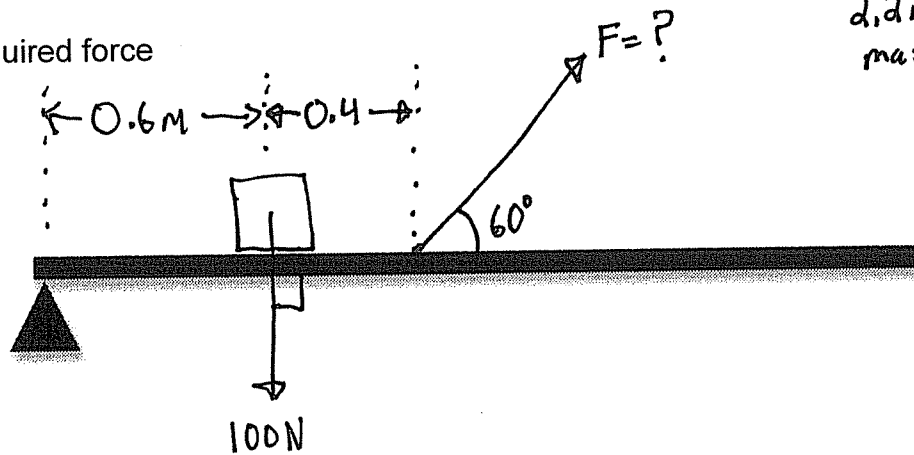
mass of beam = 4kg

3. Find the required force



mass of beam = 0

4. Find the required force



2.2m beam
mass = 2kg