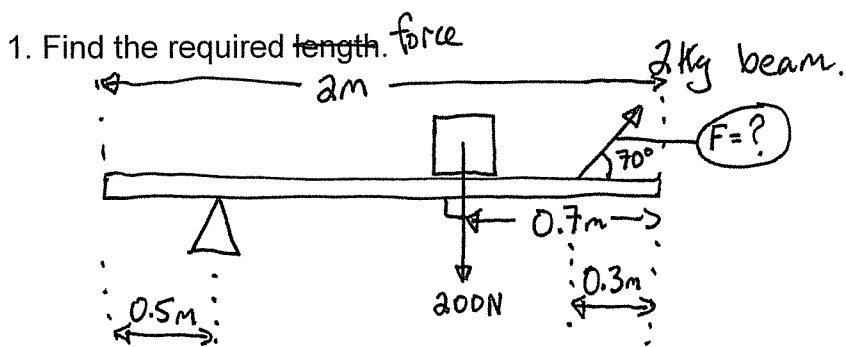


Unit 5

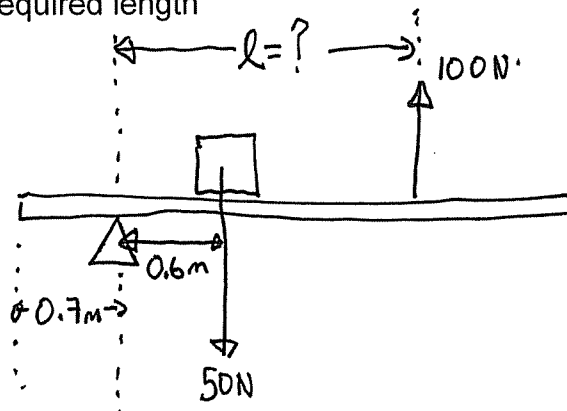
Physics 12 Chapter 8 Torque Worksheet #3

- Includes problems where the beam has mass, forces at an angle, and bridge type problems with two possible pivots.

Name: _____



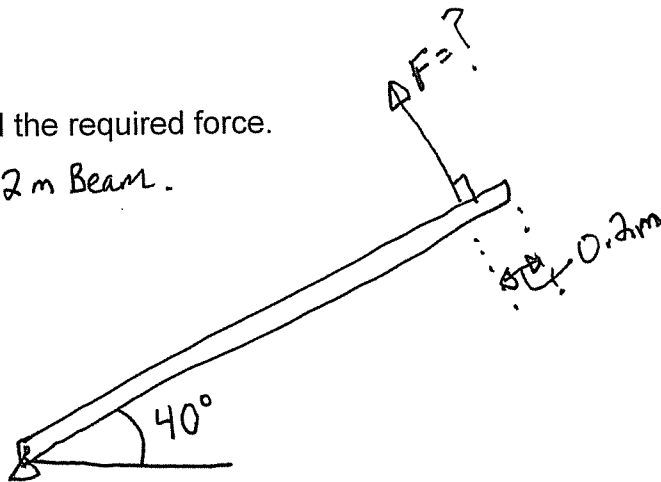
2. Find the required length



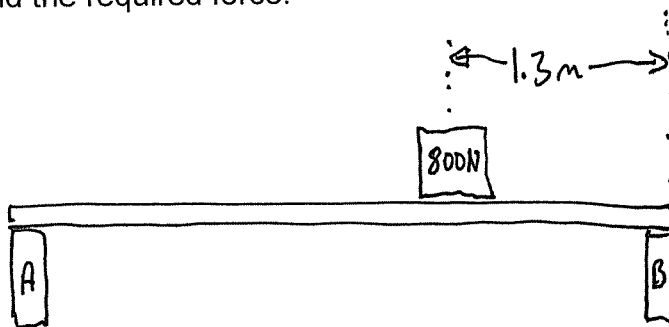
3 m Beam.
5 kg mass.

3. Find the required force.

2 Kg 2 m Beam.



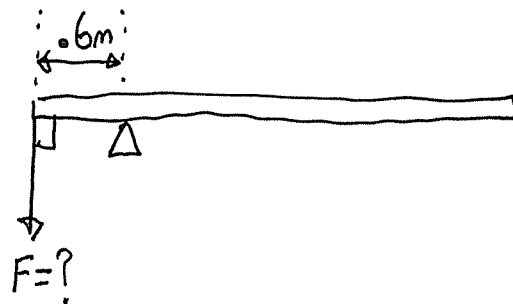
4. Find the required force.



Beam, 4m, 25 Kg

$F_A = ?$ $F_B = ?$

5. Find the required force



3 m Beam, 5 Kg