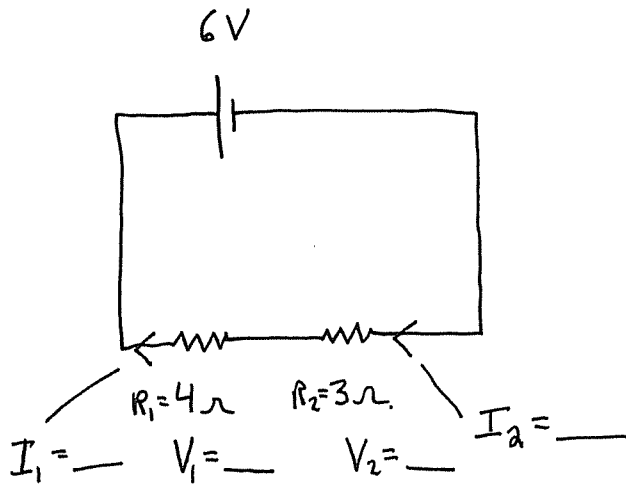


u8

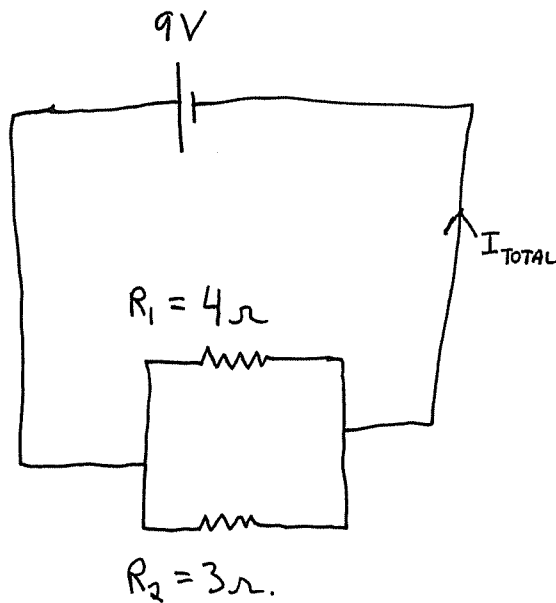
Physics 12 Chapter 18/19 Circuit Analysis Worksheet #1

Name: \_\_\_\_\_

1. Find the required missing values. Show your working in clearly defined (boxed) steps.

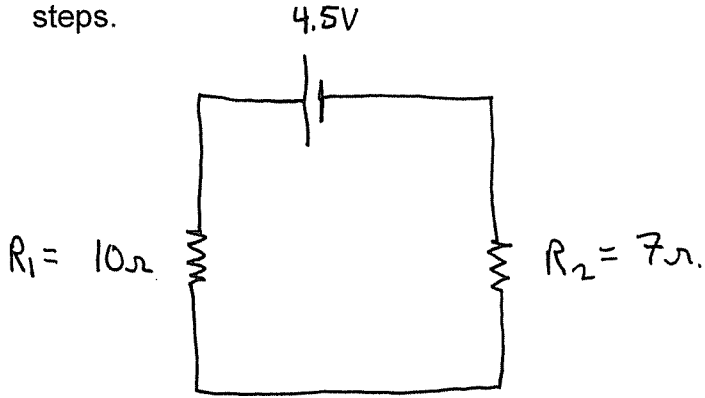


2. Find the required missing values. Show your working in clearly defined (boxed) steps.



$$I_1 = \underline{\hspace{1cm}} \quad V_1 = \underline{\hspace{1cm}}$$
$$I_2 = \underline{\hspace{1cm}} \quad V_2 = \underline{\hspace{1cm}}$$
$$I_{TOTAL} = \underline{\hspace{1cm}}$$

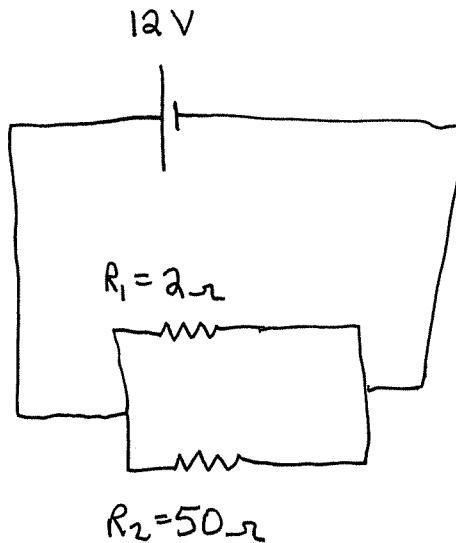
3. Find the required missing values. Show your working in clearly defined (boxed) steps.



$$I_1 = \underline{\hspace{2cm}} \quad V_1 = \underline{\hspace{2cm}}$$

$$I_2 = \underline{\hspace{2cm}} \quad V_2 = \underline{\hspace{2cm}}$$

4. Find the required missing values. Show your working in clearly defined (boxed) steps.



$$I_1 = \underline{\hspace{2cm}} \quad V_1 = \underline{\hspace{2cm}}$$

$$I_2 = \underline{\hspace{2cm}} \quad V_2 = \underline{\hspace{2cm}}$$